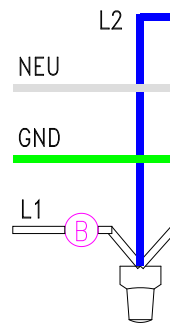


240V

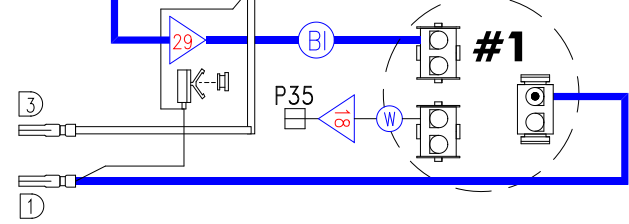
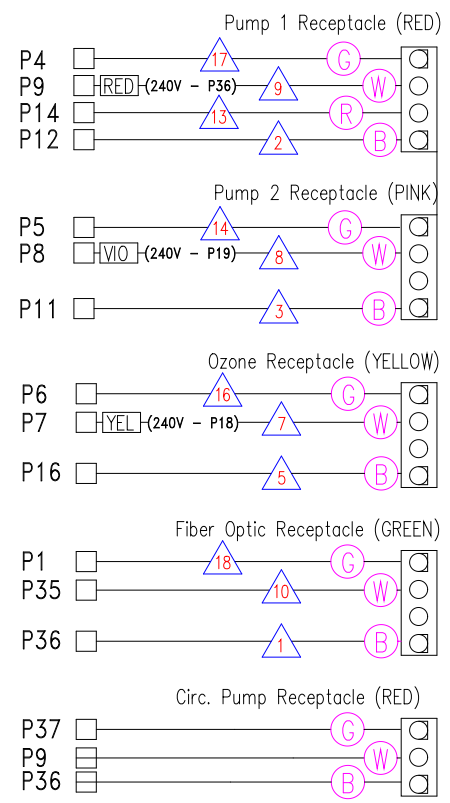
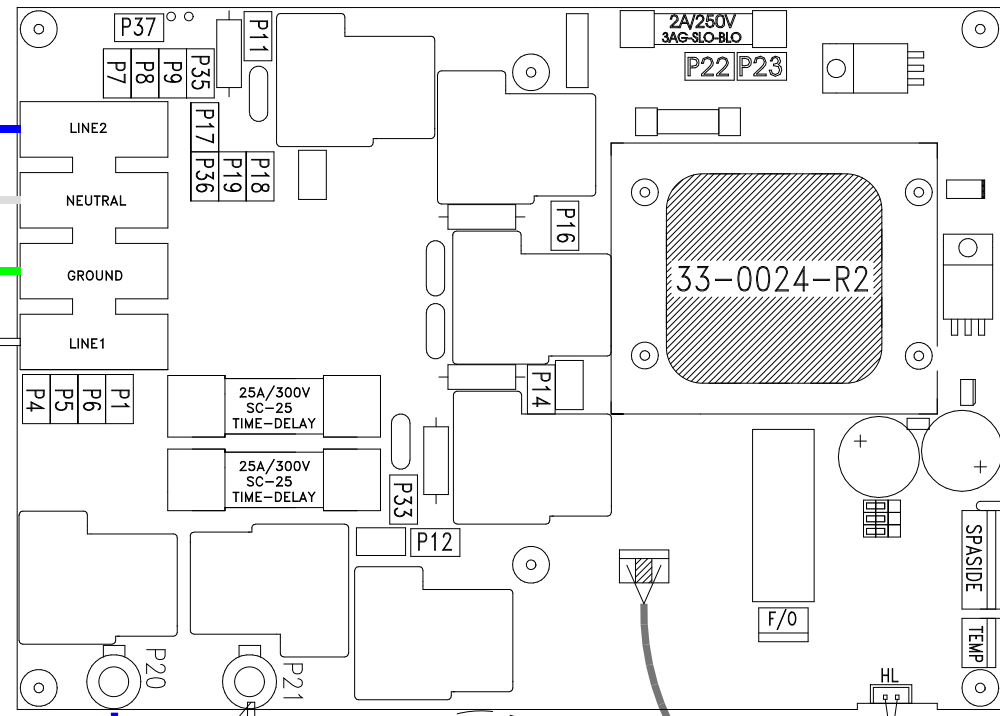
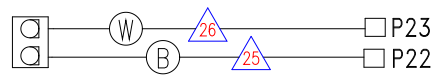
120V



MUST USE:

9 PIN FEMALE
MATE 'N' LOC 2
PLUS CONNECTOR
31-0111-9
31-0113-9

* Wire side view from
inside control box.



LEGEND	
□	- 1/4" QUICK CONNECT
▢	- 1/4" QUICK CONNECT PIGGYBACK
○	- RING CONNECTOR
◻	- SOCKET CONNECTOR
△	- PIN CONNECTOR

HYDRO-QUIP
CORONA, CA (909) 273-7575

Manufacture Notes:
#1 For 240V operation of heater, plug must be installed into 240V receptacle
#2 Line 1 and Line 2 need to be CONNECTED for 120V operation.

Dwg. No.	Rev
J5R50A0-DKQY-S5	11
Drawn	Date
BH	04.29.02
Diagram No.	6802

Wire Color Code	
B - Black	G - Green
Br - Brown	Bl - Blue
R - Red	V - Violet
O - Orange	W - White
Y - Yellow	Gr - Gray